



**LD2 - Lincat Seal
Counter-top Heated
Display with Gantry - 2 x
1/1 GN - W 790 mm - 1.5 kW**

The Seal Heated Display with Gantry is perfect for when you want to attract customers with delicious dishes and offer a low budget solution to keeping pre-cooked food warm at the same time.

- ✔ Minimum food holding temperature of 72°C
- ✔ Thermostatic control allows base heat to be adjusted to suit a variety of food products
- ✔ Aluminium surface for energy-efficient heat conduction
- ✔ An affordable choice for when overhead heat and illumination is not needed – for example where covered dishes are served
- ✔ Robust stainless steel construction – hygienic and easy to clean

Specifications

Summary		Power and Performance	
Brand	Lincat	Total Power kW	1.50
Range	Seal	Temperature Range °C	72 [minimum]
Power Type	Electric	IP Rating	IP33
Unit Type	Counter-top	Temperature Control	Mechanical
Available in UK Only	No		
UK Warranty	2 Years Parts and Labour Warranty		
Export Warranty	Contact your local dealer		
GTIN	5056105104346		

Key Specifications		Capacity	
Type of Lighting	Halogen heat lamps	Gastronorm Capacity	2 x GN1/1
Heated Base	Yes		
Heated Gantry	Yes		

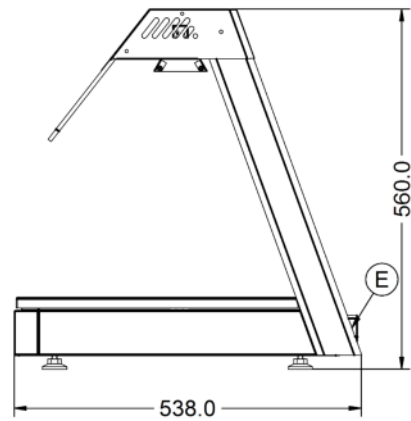
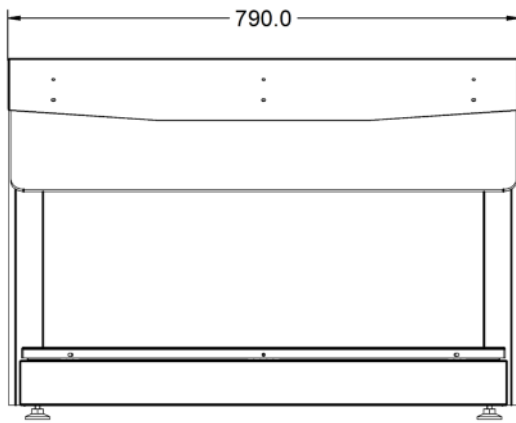
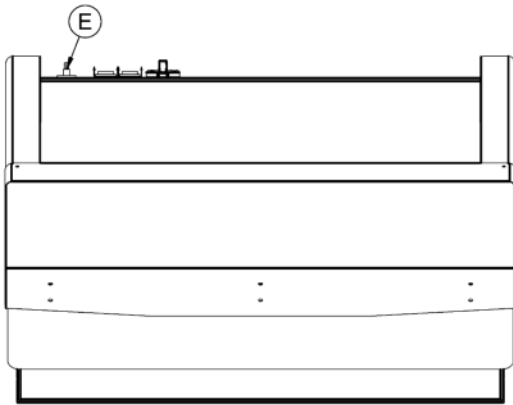
Weights and Dimensions		Supply Connections	
Unit Height (External) mm	560	Requires Installation	No
Unit Width (External) mm	790	Requires Electrical Supply	Yes
Unit Depth (External) mm	538	UK 3 Pin Plug	Yes
Net Weight Kg	18.7	Requires Hardwiring	No
		Electrical Supply Rating Watts	1,500
		Single Phase Amps	6.5
		Single Phase Voltage	230

Shipping	
Packed Weight Kg	25.1
Packed Height cm	88.3
Packed Width cm	70.3
Packed Depth cm	70.3

Available Accessories

- LDBM2 LD ACCESSORY

Technical Picture



Lincat Limited

Whisby Road,
Lincoln, LN6 3QZ,
United Kingdom

Company No: 2175448

A member company of



Customer Care

Tel: +44 1522 875500
Email: care@lincat.co.uk

Export Customers

Tel: +44 1522 503250
Email: export@lincat.co.uk

Opening Hours

Monday – Friday:
8.30am – 5pm