



Project _____
 Item # _____
 Quantity _____

Glo-Ray® Fry Holding Stations

Models: GRFHS-16, -21, -22, -26, -PTT21, -PT16, -PT26

Hatco offers convenient Glo-Ray® Fry Holding Stations that can be placed where they are most needed - next to a fryer! Glo-Ray heat technology offers you the ability to keep fried foods at optimum temperatures, ready to serve, without cooking or drying them out.

Standard features

- Ceramic heating elements above, allowing ample space between the warmer and food bin to empty baskets
- Pre-set thermostatically-controlled heated base maintains uniform holding temperatures from below
- Various hardcoated fry ribbons stage boxed or bagged products for quick service areas
- PT and PTT models are pass-through style
- Pass-thru tunnel is available with model GRFHS-PTT21
- Sectional divider permits holding of multiple products
- Models have 16.75", 18", or 20" (425, 457, or 508 mm) clearances
- Bottom trivet lifts food off the bottom of the station promoting air movement and reduces the build up of moisture



Options (available at time of purchase only)

- Halogen Bulb in lieu of Standard Display Light (60 watt) – 120V only
- ChefLED Bulb in lieu of Standard Display Light (excludes GRFHS-16, -21 (60 watt) –

120V	230V (CE for input voltages above 200V)
<input type="checkbox"/> CLED-2700-120 Warm light	<input type="checkbox"/> CLED-2700-230 Warm light
<input type="checkbox"/> CLED-3000-120 Warm light	<input type="checkbox"/> CLED-3000-230 Warm light
<input type="checkbox"/> CLED-4000-120 Cool light	<input type="checkbox"/> CLED-4000-230 Cool light
- Left or Right side Cutout (GRFHS-16, -21, and -26) – Adds 1.7" (43 mm) to width of unit)
- 6" (15 mm) deep pan (GRFHS-PT26)

Accessories

- 5-Pleat Hardcoated French Fry Box Ribbon
- 8-Pleat Hardcoated French Fry Bag Ribbon
- 4-Pleat Hardcoated Fry Box Ribbon (GRFHS-16 & -26)
- 5-Pleat Hardcoated Fry Bag Ribbon (GRFHS-16 & -26)
- 5-Pleat Hardcoated Fry Box Ribbon (GRFHS-21)
- 7-Pleat Hardcoated Fry Bag Ribbon (GRFHS-21)
- 10-Pleat Hardcoated Fry Bag Ribbon (GRFHS-PT26 & PTT21)
- 5" (127 mm) side-by-side bag holder (GRFHS-21)
- Scoop Holder - adds 1.25" (32 mm) to overall product width for each scoop holder (one standard on GRFHS-PT26, -PTT21) (not available for the GRFHS-22)
- Additional Sectional Dividers (one standard on GRFHS-PT26, - PTT21 models, not available for GRFHS-22)
- Food Pans (not available for the GRFHS-22)
- Wire Trivet (not available for the GRFHS-22)

For operation, location and safety information, please refer to the Installation & Operating Manual.

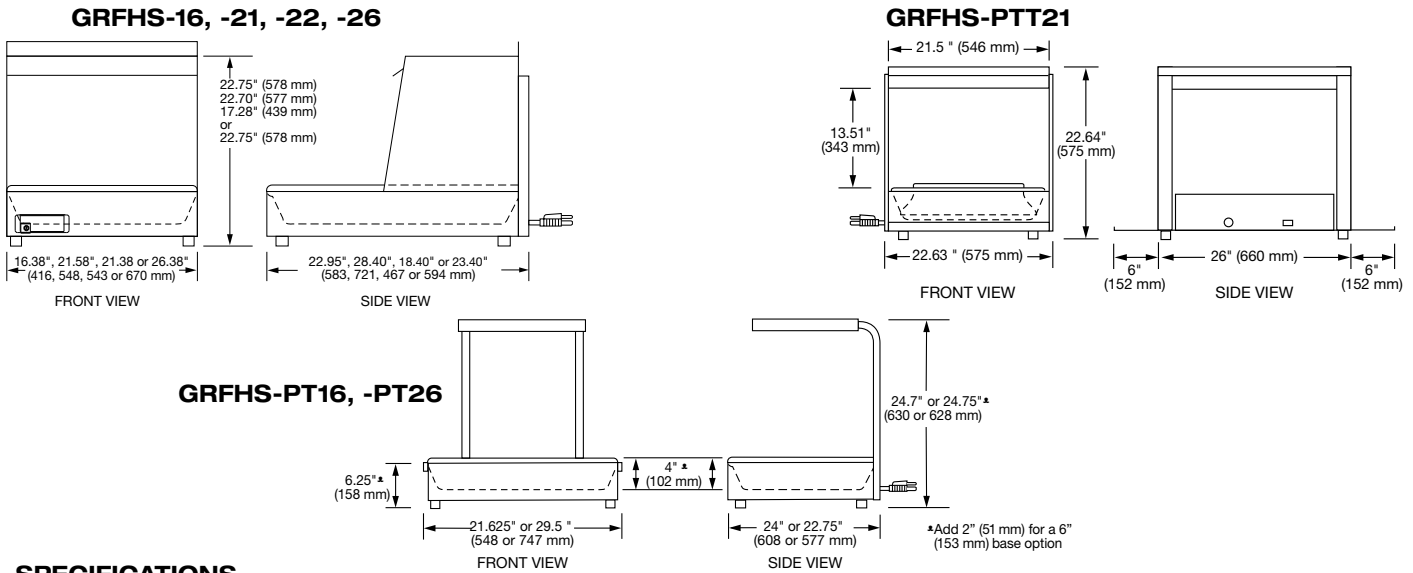


HATCO CORPORATION | P.O. Box 340500 Milwaukee, WI 53234-0500 U.S.A.
 (800) 558-0607 | (414) 671-6350 | www.hatcocorp.com | support@hatcocorp.com



Glo-Ray® Fry Holding Stations

Models: GRFHS-16, -21, -22, -26, -PTT21, -PT16, -PT26



SPECIFICATIONS Glo-Ray® Fry Holding Stations

■ The shaded areas contain electrical information for International models only

Model	Dimensions (Width x Depth x Height)	Volts	Phase	Watts	Amps	Plug	Ship Weight*
GRFHS-16	16.38" x 22.95" x 22.75" (416 x 583 x 578 mm)	100	Single	878	8.8	JIS C 8303	51 lbs. (23 kg)
		120		1090	9.1	NEMA 5-15P	
		220 ^z		1057	4.8	BS-1363	
		220-230 (CE)		1057-1155	4.8-5.0	CEE 7/7 Schuko	
		230-240 (CE)		1019-1110	4.4-4.6	BS-1363 or AS 3112 [•]	
GRFHS-PT16	21.58" x 23.95" x 24.875" (548 x 608 x 632 mm)	100	Single	861	8.6	JIS C 8303	60 lbs. (27 kg)
		120		1090	9.1	NEMA 5-15P	
		220 ^z		1057	4.8	BS-1363	
		220-230 (CE)		1057-1155	4.8 - 5.0	CEE 7/7 Schuko	
		230-240 (CE)		1019-1110	4.4 - 4.6	BS-1363 or AS 3112 [•]	
GRFHS-21	21.58" x 28.40" x 22.70" (548 x 721 x 577 mm)	100	Single	1007	10.1	JIS C 8303	63 lbs. (29 kg)
		120		1200	10.0	NEMA 5-15P	
		220 ^z		1218	5.5	BS-1363	
		220-230 (CE)		1218-1332	5.5-5.8	CEE 7/7 Schuko	
		230-240 (CE)		1102-1200	4.8-5.0	BS-1363 or AS 3112 [•]	
GRFHS-PTT21	22.63" x 38" x 22.64" (575 x 965 x 575 mm)	100	Single	1347	13.5	JIS C 8303	100 lbs. (45 kg)
		120		1740	14.5	NEMA 5-15P [†]	
		220 ^z		1486	6.8	BS-1363	
		220-230 (CE)		1486-1624	6.8-7.1	CEE 7/7 Schuko	
		230-240 (CE)		1624-1768	7.1-7.4	BS-1363 or AS 3112 [•]	
GRFHS-22	21.38" x 18.40" x 17.28" (543 x 467 x 439 mm)	100	Single	847	8.5	JIS C 8303	44 lbs. (20 kg)
		120		1030	8.6	NEMA 5-15P	
		220 ^z		1076	4.9	BS-1363	
		220-230 (CE)		1076-1176	4.9-5.1	CEE 7/7 Schuko	
		230-240 (CE)		1176-1280	5.1-5.3	BS-1363 or AS 3112 [•]	
GRFHS-26	26.38" x 23.40" x 22.75" (670 x 594 x 578 mm)	100	Single	1007	10.1	JIS C 8303	66 lbs. (30 kg)
		120		1200	10.0	NEMA 5-15P	
		220 ^z		1243	5.7	BS-1363	
		220-230 (CE)		1243-1359	5.7-5.9	CEE 7/7 Schuko	
		230-240 (CE)		1128-1229	4.9-5.1	BS-1363 or AS 3112 [•]	
GRFHS-PT26	29.4" x 22.71" x 24.71" (747 x 577 x 628 mm)	100	Single	1208	12.1	JIS C 8303	64 lbs (29 kg)
		120		1440	12.0	NEMA 5-15P	
		220 ^z		1233	5.6	BS-1363	
		220-230 (CE)		1233-1347	5.6-5.9	CEE 7/7 Schuko	
		230-240 (CE)		1347-1468	5.9-6.1	BS-1363 or AS 3112 [•]	

* Shipping weight includes packaging.

* AS3112 plug for use in Australia only.

† The GRFHS-PTT21 for Canada uses a NEMA 5-20P plug configuration.

^z 60 Hz



Glo-Ray® Fry Holding Stations

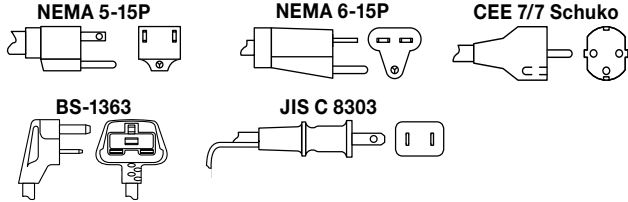
Models: GRFHS-16, -21, -22, -26, -PTT21, -PT16, -PT26

CORD LOCATION

GRFHS-16, -21, -26, -PT26: Back side, lower right corner.

GRFHS-PTT21: Lower right-hand side.

PLUG CONFIGURATIONS



PRODUCT SPECS Glo-Ray® Fry Holding Stations

The Fry Holding Station shall be a Glo-Ray® manufactured by the Hatco Corporation, Milwaukee, WI 53234 U.S.A.

The Fry Holding Station shall be rated at ... watts, ... volts, and be ... inches (millimeters) in overall width. It shall consist of either a stainless steel housing or an

aluminum housing with ceramic. Pre-set thermostatically controlled based heat. Portable warmer features wire guards, shatter-resistant incandescent display lights, a lighted on-off switch, and 6' (1829 mm) cord and plug. Warranty consists of 24/7 parts and service assistance (U.S. and Canada only).

HATCO CORPORATION | P.O. Box 340500 Milwaukee, WI 53234-0500 U.S.A.
 (800) 558-0607 | (414) 671-6350 | www.hatcocorp.com | support@hatcocorp.com